

LED Lit Floating Shelves



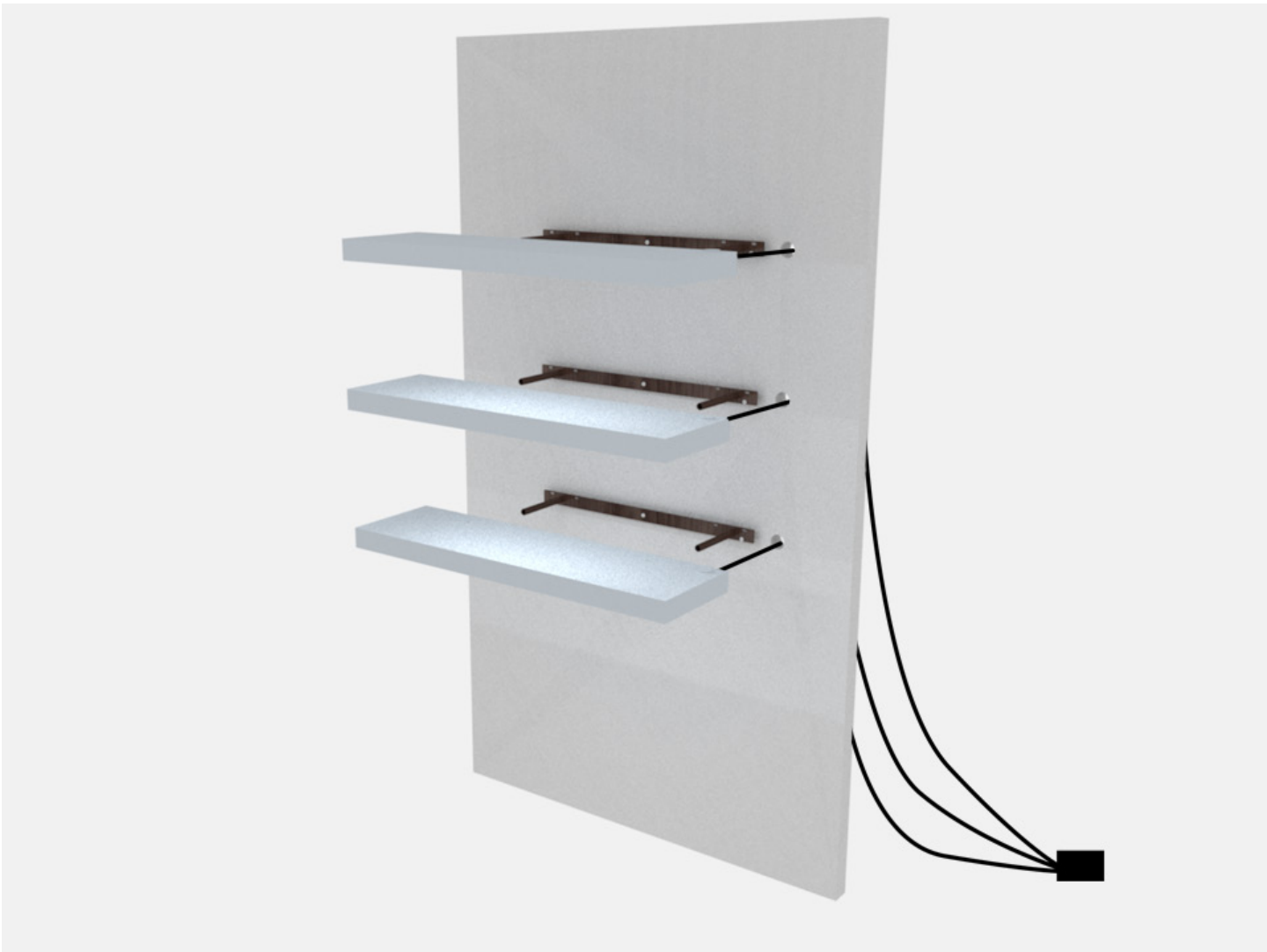
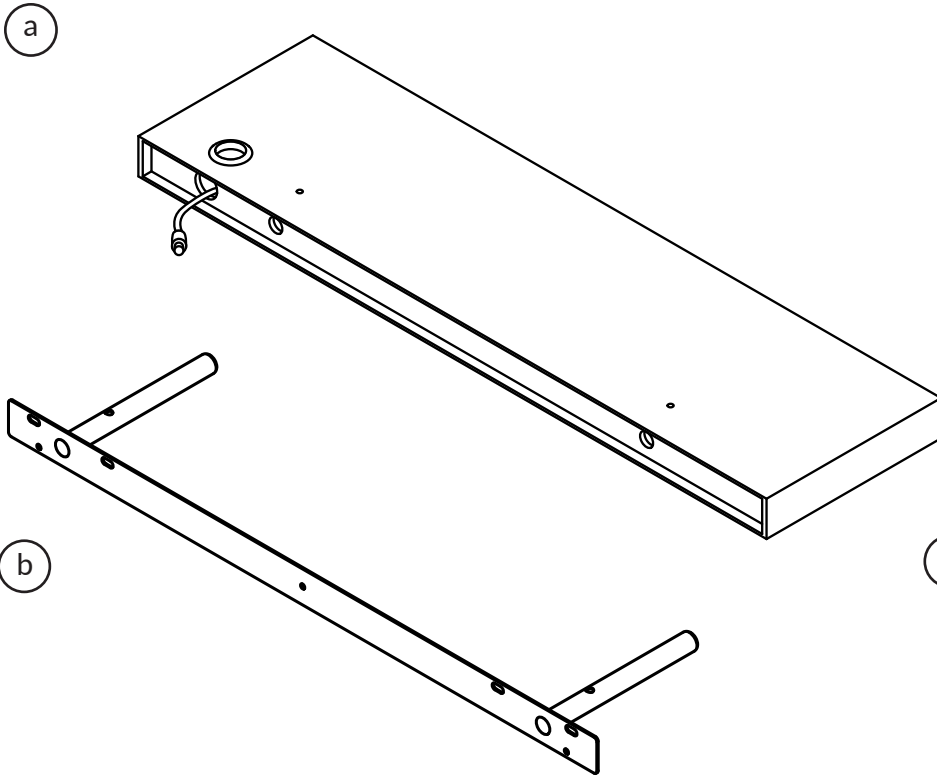
Shelf Parts list

a) Shelf with LED strip, wired for usage

b) Wall mounting bracket

c) Two set screws

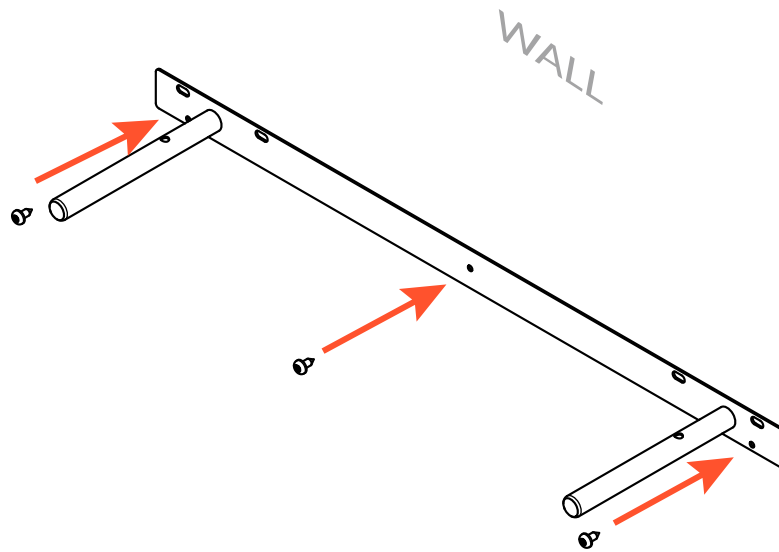
d) Two access hole covers



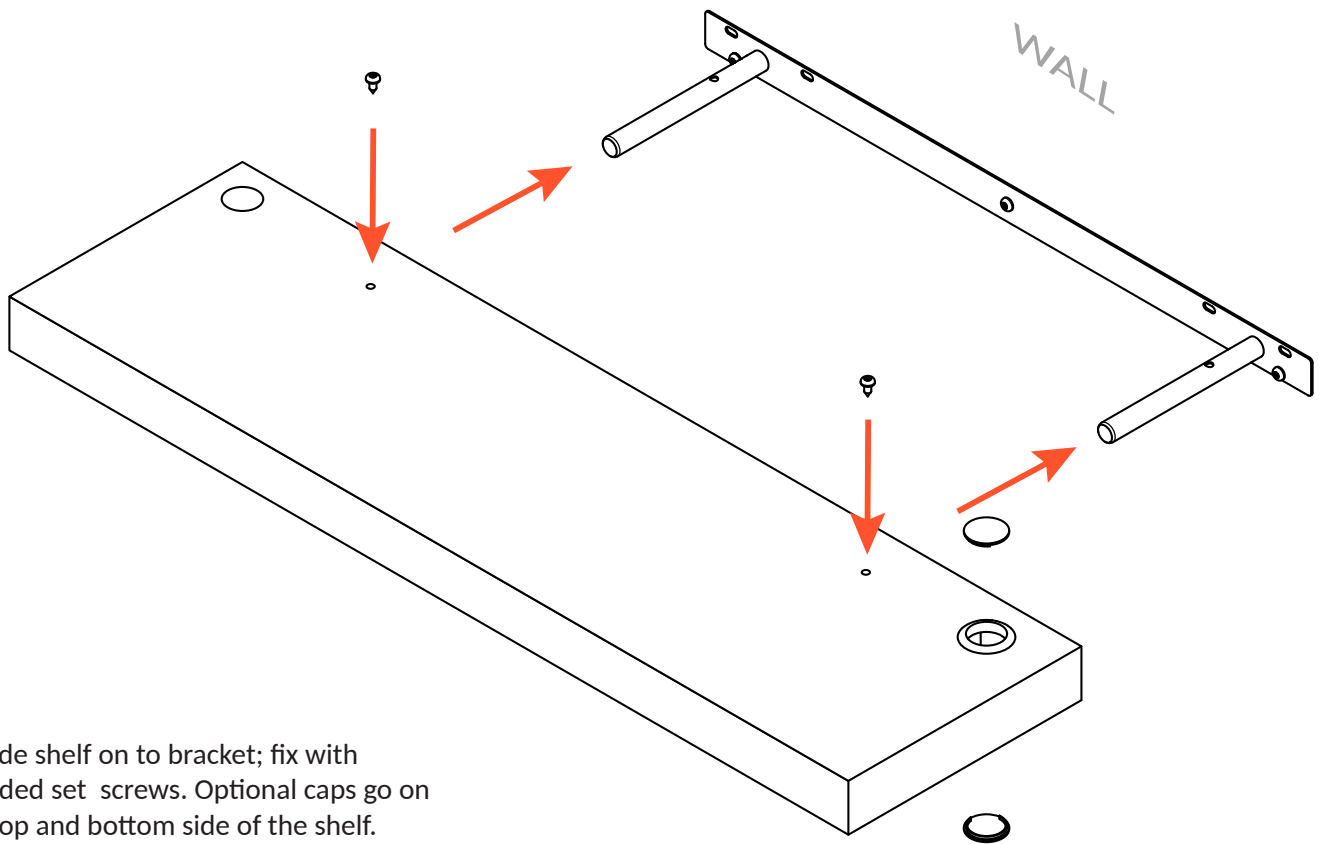
Easy to Install Fixtures



OMG Lit Floating Shelves are not only easy to install, but are the perfect way to present today's fashion eyewear. As an added bonus, each shelf has the ability to be wired for a digital device of your choice through the access holes in the top and bottom of each shelf.

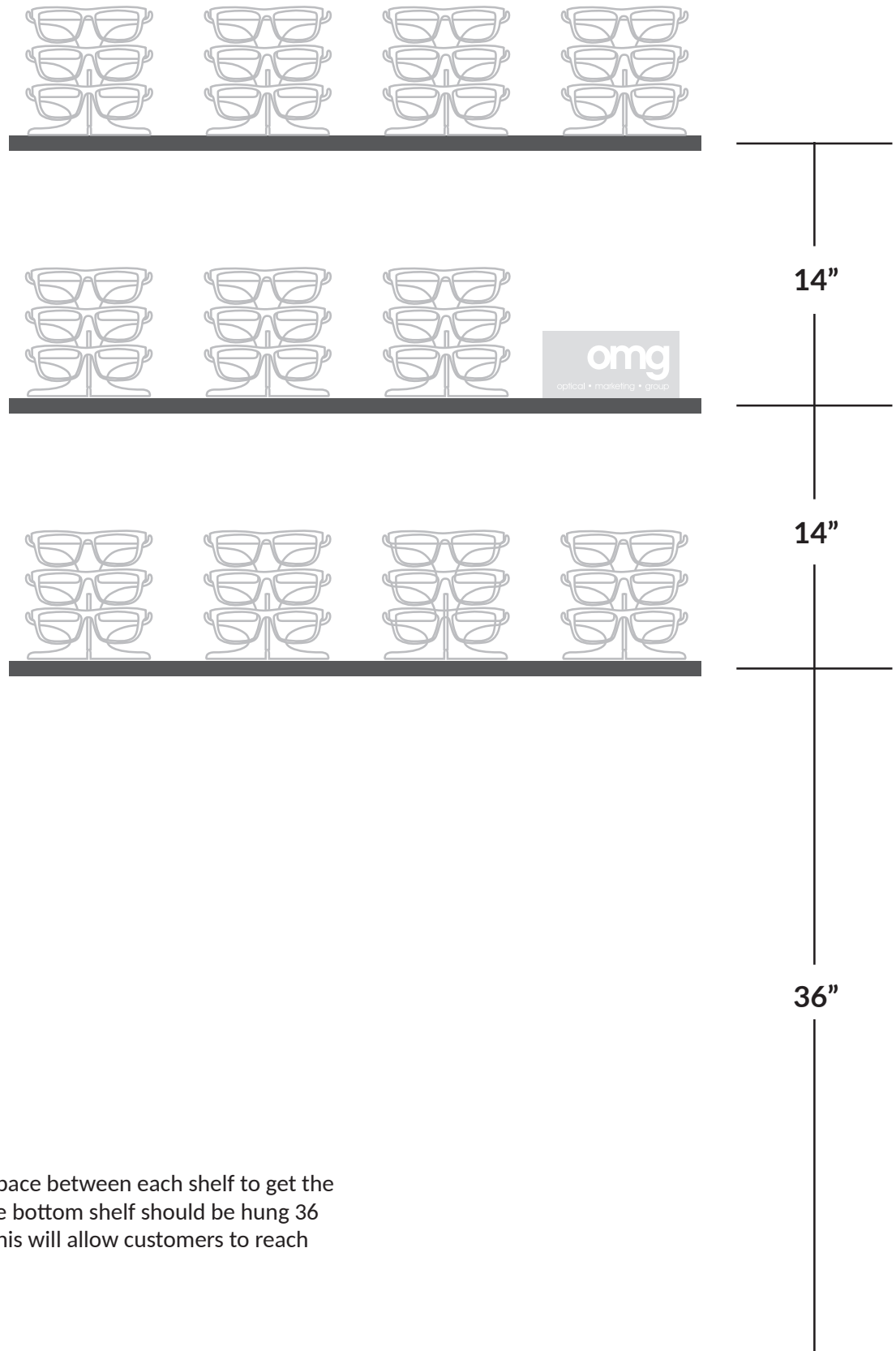


1. Screw metal mounting bar to wall (screws not included). If stud is not lining up with access holes, feel free to drill through the metal mounting bar to secure.



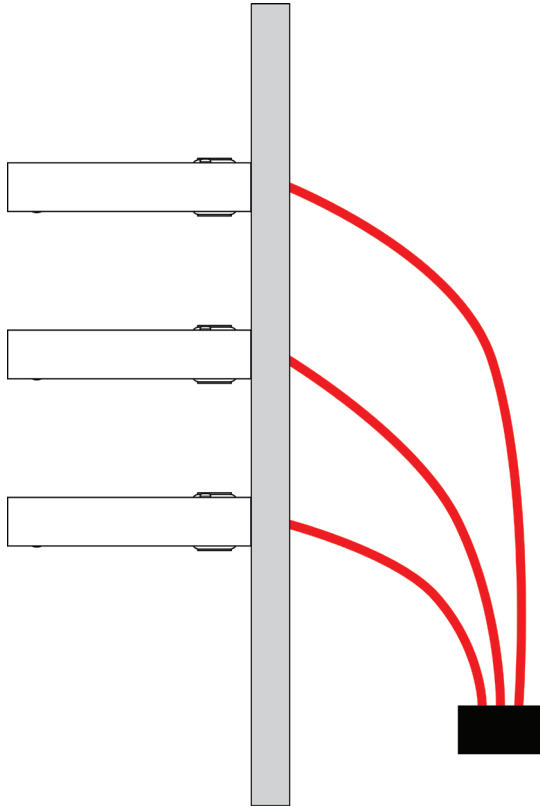
2. Slide shelf on to bracket; fix with included set screws. Optional caps go on the top and bottom side of the shelf.

Recommended Shelf Placement



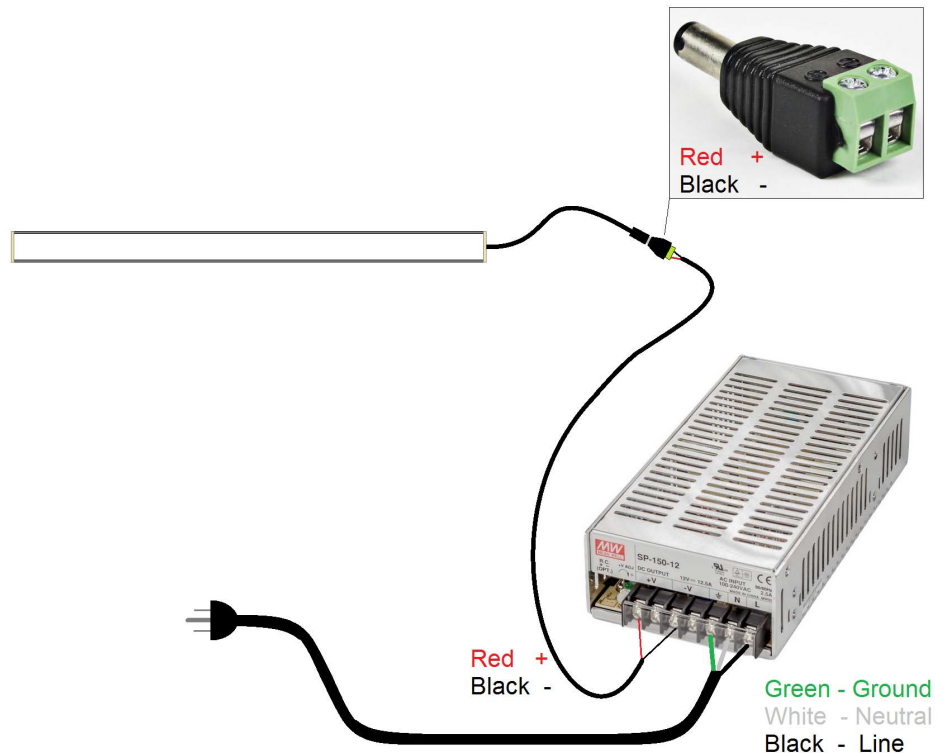
Allow for 14 inches of space between each shelf to get the best lighting effects. The bottom shelf should be hung 36 inches from the floor. This will allow customers to reach each shelf with ease.

DC Wiring Shelves

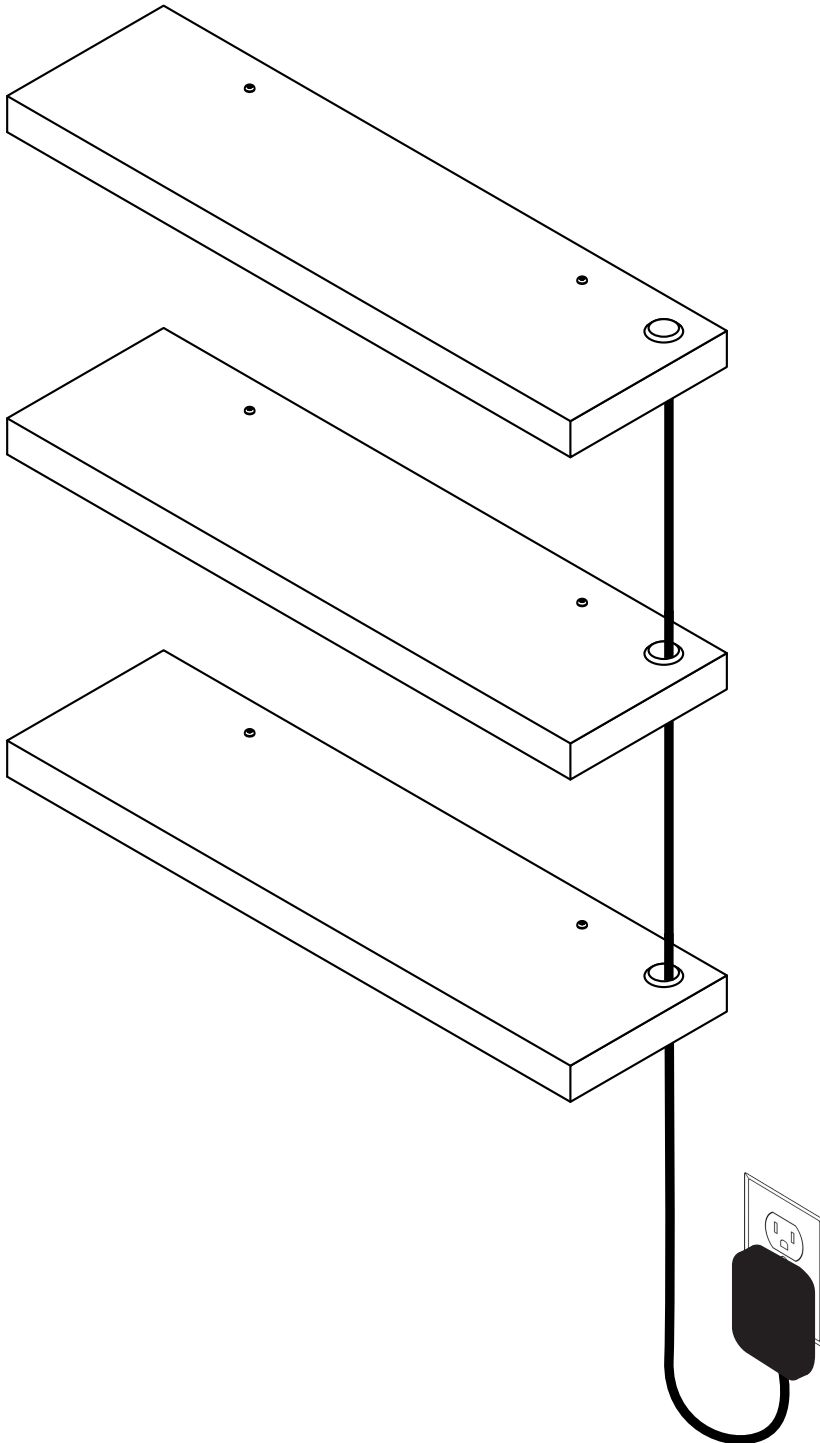


Wiring the shelves is easy. Position the transformer in a accessible, convenient location hidden from public view. Affix low voltage wiring into transformer as pictured in the diagram below. Run wiring through wall to prepared hole where shelving units will go. This hole should be lined up with the hole in the back of the shelf (see image on page 2). Affix male adaptor plug to low voltage wire. Once you have mounted the bracket on to the wall, complete shelf installation and plug male adaptor plug into female adaptor.

Here is a description of how you hook each shelf wire to the transformer. You also want to talk about how to wire them for tablets here.



AC Wiring Shelves



The AC version of this shelving set can support up to three shelves into a single wall outlet. You will need to specify whether you are ordering the AC or DC version at checkout.

The AC version comes with an adaptor that plugs into a wall outlet, a 3 way splitter, and two male to female extender cables (pictured on page11).

To install the shelves as pictured here, plug the wall adaptor into the 3 way splitter. feed the splitter into the bottom shelf, and plug one of the splitter ends into the corresponding shelf plug. Then, plug the other two splitter ends into the extension cords. Run both cords up to the second shelf, and plug one of them into the shelf plug. Run the remaining extension cord up to the third shelf and plug it in. You will want to hide as much of the cords as possible in the inside of the shelves.

We recommend that if you choose to light your shelves with the AC version, you use wire casing to cover the exposed lengths of wire.



Frosty White Laminate
1573



Brighton Walnut Laminate
7922



Asian Sun Laminate
7952K-18



Anasazi Crown Laminate
Y0286



Rediscovered Oak Planked Laminate
Y0303

Custom laminate finishes available. For information on custom options, please contact OMG at info@omghome.net, or call us at **978-712-0664**.

Product Specifications

Shelves

- 36 by 10 by 2 inches in size (custom sizes available up to 5 feet wide).
- Dual access holes 1.75 inches in size.
- Medium Density Fiberboard (MDF) covered in Laminate.
- Powder Coated Steel Bracket.

Lighting

- Neutral White. (4000° Kelvin.)
- CRI = 90+.
- Not waterproof.
- 3498 mW/meter = 1152 lumens/meter.
- 12 volts DC.
- 56.4 watts (3.4 watts/foot = 11.3 watts/meter.)
- Length: 16.4 ft = 5 m.
- Width: 0.39 in = 10 mm.
- Height: 0.08 in = 2 mm.
- LED spacing: 0.33 in = 8.3 mm.
- UL, RoHS.
- 50,000 hours expected lifetime.
- Warranty: 3 years limited.
- No Ultra-Violet emissions (except for the special UV version), so it won't harm your art or documents.

Please see next page for transformer specifications.

Transformer Specifications



240W Single Output with PFC Function

SP-240 series



■ Features :

- Universal AC input / Full range
- Built-in active PFC function, PF>0.95
- Protections: Short circuit / Overload / Over voltage / Over temperature
- Forced air cooling by built-in DC Fan
- Built-in fan ON / OFF control
- LED indicator for power on
- Fixed switching frequency at 90KHz
- 3 years warranty



SPECIFICATION

MODEL	SP-240-5	SP-240-7.5	SP-240-12	SP-240-15	SP-240-24	SP-240-30	SP-240-48	
OUTPUT	DC VOLTAGE	5V	7.5V	12V	15V	24V	30V	48V
	RATED CURRENT	45A	32A	20A	16A	10A	8A	5A
	CURRENT RANGE	0 ~ 45A	0 ~ 32A	0 ~ 20A	0 ~ 16A	0 ~ 10A	0 ~ 8A	0 ~ 5A
	RATED POWER	225W	240W	240W	240W	240W	240W	240W
	RIPPLE & NOISE (max.) Note.2	150mVp-p	150mVp-p	150mVp-p	150mVp-p	150mVp-p	150mVp-p	150mVp-p
	VOLTAGE ADJ. RANGE	4 ~ 6V	6 ~ 9V	10 ~ 14V	12 ~ 18V	20 ~ 28V	27 ~ 33V	41 ~ 56V
	VOLTAGE TOLERANCE Note.3	±2.0%	±2.0%	±1.0%	±1.0%	±1.0%	±1.0%	±1.0%
	LINE REGULATION	±0.5%	±0.5%	±0.3%	±0.3%	±0.2%	±0.2%	±0.2%
	LOAD REGULATION	±1.0%	±1.0%	±0.5%	±0.5%	±0.5%	±0.5%	±0.5%
	SETUP, RISE TIME	800ms, 50ms/230VAC		1500ms, 50ms/115VAC at full load				
HOLD UP TIME (Typ.)	20ms/230VAC		20ms/115VAC at full load					
INPUT	VOLTAGE RANGE Note.5	88 ~ 264VAC		124 ~ 370VDC				
	FREQUENCY RANGE	47 ~ 63Hz						
	POWER FACTOR (Typ.)	PF>0.95/230VAC		PF>0.98/115VAC at full load				
	EFFICIENCY (Typ.)	79%	83%	86%	86%	87%	88%	89%
	AC CURRENT (Typ.)	3.6A/115VAC	1.8A/230VAC					
	INRUSH CURRENT (Typ.)	25A/115VAC	40A/230VAC					
	LEAKAGE CURRENT	<2mA / 240VAC						
PROTECTION	OVERLOAD	105 ~ 135% rated output power Protection type : Hiccup mode, recovers automatically after fault condition is removed						
	OVER VOLTAGE	6.3 ~ 7.5V	9.4 ~ 10.9V	14.7 ~ 17.5V	19 ~ 22.5V	29.5 ~ 35V	34.7 ~ 41V	57.6 ~ 67.2V
	OVER TEMPERATURE	90°C ±5°C (5V,7.5V), 85°C ±5°C (12V,15V,24V,30V,48V) (TSW1 : detect on heatsink of power transistor) Protection type : Shut down o/p voltage, recovers automatically after temperature goes down						
FUNCTION	FAN CONTROL	RTH2 ≥ 40°C FAN ON, ≤ 35°C FAN OFF (Typ.)						
ENVIRONMENT	WORKING TEMP.	-20 ~ +70°C (Refer to output load derating curve)						
	WORKING HUMIDITY	20 ~ 90% RH non-condensing						
	STORAGE TEMP., HUMIDITY	-40 ~ +85°C, 10 ~ 95% RH						
	TEMP. COEFFICIENT	±0.03%/°C (0 ~ 50°C)						
	VIBRATION	10 ~ 500Hz, 2G 10min./1cycle, 60min. each along X, Y, Z axes						
SAFETY & EMC (Note 4)	SAFETY STANDARDS	UL60950-1, TUV EN60950-1 approved						
	WITHSTAND VOLTAGE	I/P-O/P:3KVAC	I/P-FG:1.5KVAC					O/P-FG:0.5KVAC
	ISOLATION RESISTANCE	I/P-O/P, I/P-FG, O/P-FG:100M Ohms / 500VDC / 25°C / 70% RH						
	EMI CONDUCTION & RADIATION	Compliance to EN55022 (CISPR22) Class B						
	HARMONIC CURRENT	Compliance to EN61000-3-2, -3						
	EMS IMMUNITY	Compliance to EN61000-4-2,3,4,5,6,8,11; ENV50204, EN55024, light industry level, criteria A						
OTHERS	MTBF	284K hrs min. MIL-HDBK-217F (25°C)						
	DIMENSION	190*93*50mm (L*W*H)						
	PACKING	0.8Kg; 18pcs/15.4Kg/1.04CUFT						
NOTE	<ol style="list-style-type: none"> 1. All parameters NOT specially mentioned are measured at 230VAC input, rated load and 25°C of ambient temperature. 2. Ripple & noise are measured at 20MHz of bandwidth by using a 12" twisted pair-wire terminated with a 0.1uf & 47uf parallel capacitor. 3. Tolerance : includes set up tolerance, line regulation and load regulation. 4. The power supply is considered a component which will be installed into a final equipment. The final equipment must be re-confirmed that it still meets EMC directives. 5. Derating may be needed under low input voltages. Please check the derating curve for more details. 							

File Name:SP-240-SPEC 2009-09-02

AC Wiring Specifications



100 Watt 12 VDC Power Supply (North American Cord)

- Finish: Black
- Height (English): 1.6 in
- Height (Metric): 41 mm
- Input Current: 1.2 mA
- Input Voltage: 100 to 240 AC
- Length (English): 6.5 in
- Length (Metric): 165 mm
- Output Voltage: 12 DC
- Plug by Region: North America
- Power (Watts): 100
- Rating: UL, CUL, CE
- Warranty: 1 year
- Width (English): 2.45 in
- Width (Metric): 62 mm

Low Voltage 3-Splitter

- Diameter (English): 0.43 in
- Diameter (Metric): 10.9 mm
- Length (English): 7.87 in
- Length (Metric): 200 mm
- Variation: 2.1 mm ID
- Warranty: 1 year

Extender cable Male-Female 14 gauge (6 feet)

- Diameter (English): 0.43 in
- Diameter (Metric): 10.9 mm
- Length (English): 7.87 in
- Length (Metric): 200 mm
- Variation: 2.1 mm ID
- Warranty: 1 year

Thank you for choosing OMG!



We hope you enjoy your purchase!

If you're seeking a contemporary look that is highly functional, look no further than OMG. With over 20 years of experience designing and developing retail spaces for major brands to progressive optometric practices, OMG is ready to help you realize the space of your dreams. Contact us today for all your optical merchandising needs.